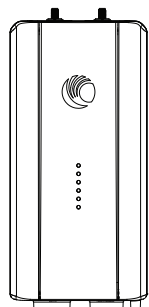
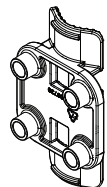


Packaging Content



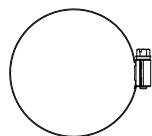
x 1

Access Point



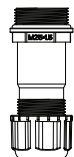
x 1

Mounting Bracket



x 2

Hose clamp



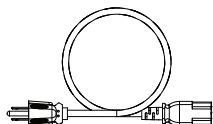
x 1

SFP Cable gland



x 1

Cable gland



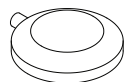
x 1

Power cord



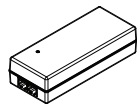
x 4

M5 x 8 Screw



x 1

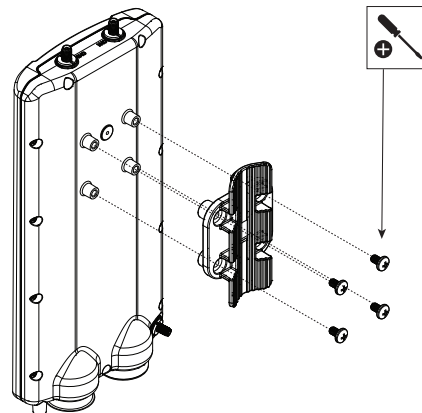
GPS



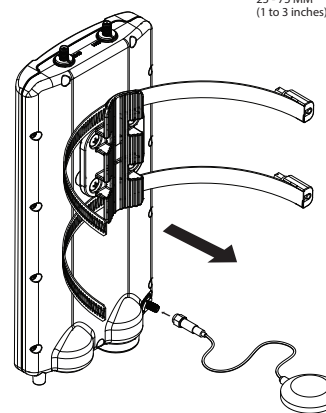
x 1

POE

Step 1



Step 2



Pole diameter:
25 - 75 MM
(1 to 3 inches)

Step 3

