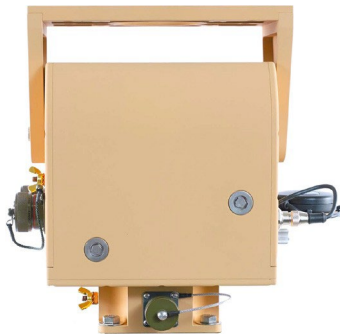
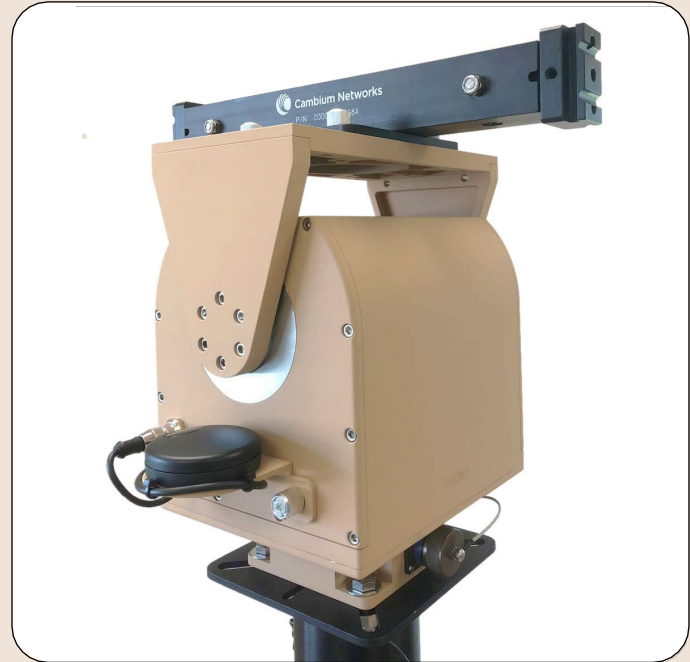


Tactical Deploy 90 (TD 90)

QUICK LOOK:

- **Fast deployment of PTP 700 MIL-STD radios**
- **Aligns radio to destination radio, whether destination radio GPS location is known or not**
- **Deployable in GPS-denied environments**
- **Designed for tactical operators**
- **MIL-SPEC data and power connectors**



The Tactical Deploy 90 (TD 90) provides an automated link establishment positioner solution for Cambium Networks' MIL-STD radios such as the PTP 700. The TD 90 provides alignment and link acquisition, whether the destination location is known or not, and even in GPS-denied environments. Link setup and remote management tools are available through the Cambium radio web-based user interface. The TD 90 allows for upload of Cambium LINKPlanner files for pre-configuration or at time of deployment for maximum ease of use and integration into customer enterprise management systems.

APPLICATIONS

- Deployment of tactical links both at short and long distance in minutes

KEY FEATURES

- Fully integrated solution with positioner and radio
- Available in a full range of tactical connectivity kits
- Compatible with PTP 700 MIL-STD radios
- Simplified user interface and setup
- Designed for tactical operators
- Ruggedized mechanics and cabling for harsh environments, and environmentally sealed for upright or inverted operation
- Lowest power draw of any competing solution; can be powered via PTP 700 Power Indoor Unit (PIDU), R-PIDU, R-NIU, R-EPI

Tactical Deploy 90 (TD 90)

General Specifications

Model Number C000000L067B – White
 C000000L068B – Green
 C000000L069B – Desert tan
 C000000L070A – Black

Country of Origin United States

Physical Dimensions 11.18 x 9.23 x 6.75 in
 (284 x 234.4 x 171.5 mm)

Weight 25 lb (11.34 kg)

Mechanical Specifications

Payload 100 lb (45.36 kg)

Az/EI Operational Torque 90 ft-lb (122 N-m)

Drive Rate Azimuth 3.5 deg/sec

Drive Rate Elevation 1.1 deg/sec

Travel Range Azimuth 400° (±200°)

Travel Range Elevation 60° (±30°)

Material Finish Anodized aluminum with stainless steel hardware

Mounting Direct bolt upright or inverted
 4X .400 DIA 3/8" fastener
 clearance 3.36" SQ hole pattern
 or optional MLOS connectivity
 kit tool-less quick-connect mast
 mounting bracket

Ingress Protection Rating IP67

Operational Temp -30°C to 60°C (-30°F to 140°F)

Survival Temp -40°C to 70°C (-40°F to 158°F)

Antennas Supported Integrated, 2' parabolic,
 3' parabolic grid

Electrical Specifications

Communications 10/100/1000 Ethernet

Power Power over Ethernet (PoE) 48-56VDC @48 W
 or separate input 18-56VDC @ 48 W

Data & Power Connectors MIL-DTL-38999 data & DC in and Amphenol
 RJFTV21G for Ethernet data passthrough
 and out-of-band Ethernet passthrough and
 FKFD GPS connector

Software Specifications

User Interface Web-based hosted internal via
 embedded controller or via
 PTP 700 proxy

Remote Management SNMP v1/v2c/v3

Alignment Modes **Mode 1:** Align with GPS-provided
 location
Mode 2: Align without GPS
 location
Mode 3: Align in GPS-denied
 location

Radios Supported PTP 45700, PTP 78700

Alignment Pre-configuration Stored destination locations,
 uploadable via LINKPlanner

Link Optimization Automate alignment based on
 antenna size

Link Maintenance Re-peak existing links to maintain
 optimal connections

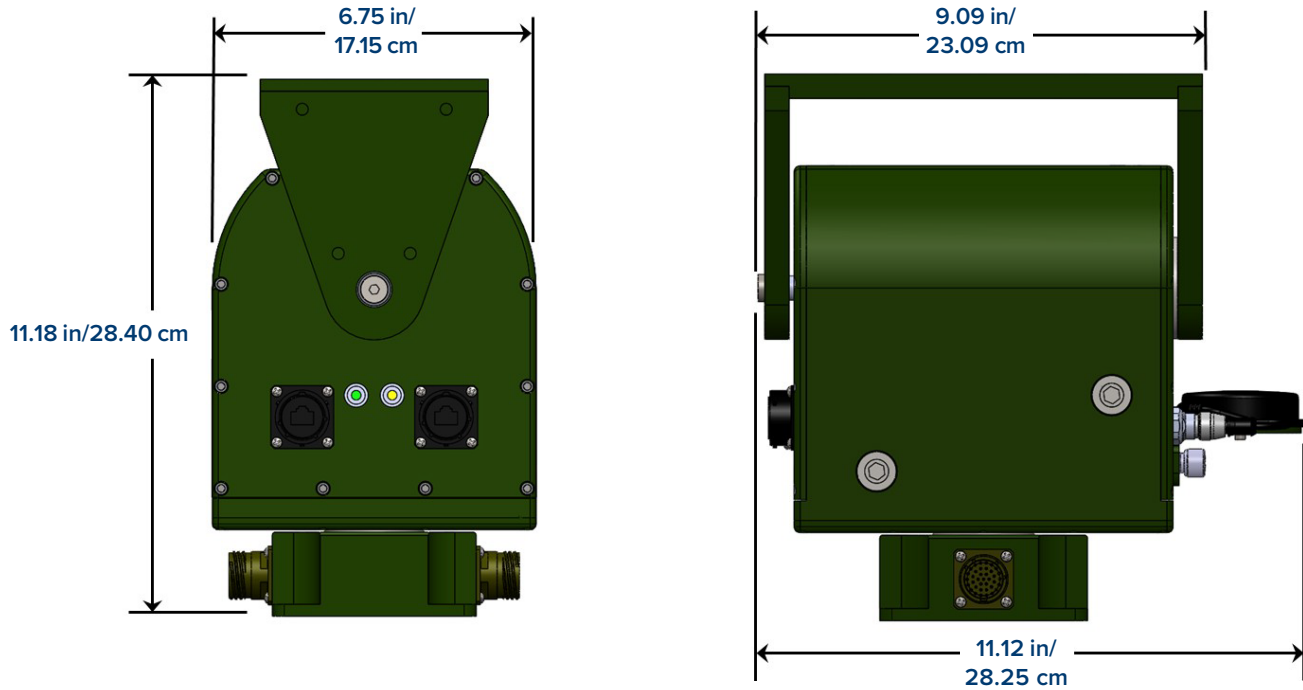
Boot Up Settings Maintain current alignment settings
 or start anew

Stow Functionality Customizable stow position

Maintenance Features Syslog, factory reset

Tactical Deploy 90 (TD 90)

Dimensions



ABOUT CAMBIUM NETWORKS

Cambium Networks enables service providers, enterprises, industrial organizations, and governments to deliver exceptional digital experiences, and device connectivity, with compelling economics. Our ONE Network platform simplifies management of Cambium Networks' wired and wireless broadband and network edge technologies. Our customers can focus more resources on managing their business rather than the network. We deliver connectivity that just works.

cambiumnetworks.com