



## QUICK START GUIDE

### ePMP 4500



## **Reservation of Rights**

Cambium reserves the right to make changes to any products described herein to improve reliability, function, or design, and reserves the right to revise this document and to make changes from time to time in content hereof with no obligation to notify any person of revisions or changes. Cambium recommends reviewing the Cambium Networks website for the latest changes and updates to products. Cambium does not assume any liability arising out of the application or use of any product, software, or circuit described herein; neither does it convey license under its patent rights or the rights of others. It is possible that this publication may contain references to, or information about Cambium products (machines and programs), programming, or services that are not announced in your country. Such references or information must not be construed to mean that Cambium intends to announce such Cambium products, programming, or services in your country.

## **Copyrights**

This document, Cambium products, and 3<sup>rd</sup> Party software products described in this document may include or describe copyrighted Cambium and other 3<sup>rd</sup> Party supplied computer programs stored in semiconductor memories or other media. Laws in the United States and other countries preserve for Cambium, its licensors, and other 3<sup>rd</sup> Party supplied software certain exclusive rights for copyrighted material, including the exclusive right to copy, reproduce in any form, distribute and make derivative works of the copyrighted material. Accordingly, any copyrighted material of Cambium, its licensors, or the 3<sup>rd</sup> Party software supplied material contained in the Cambium products described in this document may not be copied, reproduced, reverse engineered, distributed, merged or modified in any manner without the express written permission of Cambium. Furthermore, the purchase of Cambium products shall not be deemed to grant either directly or by implication, estoppel, or otherwise, any license under the copyrights, patents or patent applications of Cambium or other 3<sup>rd</sup> Party supplied software, except for the normal non-exclusive, royalty free license to use that arises by operation of law in the sale of a product.

## **Restrictions**

Software and documentation are copyrighted materials. Making unauthorized copies is prohibited by law. No part of the software or documentation may be reproduced, transmitted, transcribed, stored in a retrieval system, or translated into any language or computer language, in any form or by any means, without prior written permission of Cambium.

## **License Agreements**

The software described in this document is the property of Cambium and its licensors. It is furnished by express license agreement only and may be used only in accordance with the terms of such an agreement.

## **High Risk Materials**

Cambium and its supplier(s) specifically disclaim any express or implied warranty of fitness for any high-risk activities or uses of its products including, but not limited to, the operation of nuclear facilities, aircraft navigation or aircraft communication systems, air traffic control, life support, or weapons systems ("High Risk Use").

This product is not restricted in the EU. Any High Risk is unauthorized, is made at your own risk and you shall be responsible for any and all losses, damage or claims arising out of any High-Risk Use.

# Contents

---

<b>Contents</b> .....	<b>3</b>
<b>About This Guide</b> .....	<b>6</b>
Problems and warranty .....	6
Reporting problems .....	6
Repair and service .....	6
Warranty .....	6
Security advice .....	7
Precautionary statements .....	7
Warning .....	7
Federal Communication Commission Interference Statement .....	7
IC Interference Statement .....	8
Attention .....	9
Note .....	9
Caring for the environment .....	9
In EU countries .....	9
In non-EU countries .....	10
<b>Product Description</b> .....	<b>11</b>
Overview of ePMP .....	11
Purpose - ePMP portfolio .....	11
ePMP 4500 .....	11
Typical installation equipment .....	12
Wireless operation .....	12
Time-division duplexing .....	13
Adaptive modulation .....	13
Radar avoidance .....	13
Encryption .....	13
Country codes .....	14
Further reading on wireless operation .....	14
System management .....	14

Management agent .....	14
Webserver .....	15
SNMP .....	15
Network Time Protocol (NTP) .....	15
Software upgrade .....	15
<b>System Hardware .....</b>	<b>16</b>
Site planning .....	16
Site installation .....	16
Grounding and lightning protection .....	16
Lightning protection zones .....	18
Electromagnetic Compatibility (EMC) compliance .....	19
ePMP 4500 Access Point .....	20
Description .....	20
Part numbers .....	20
Mounting bracket .....	22
Interfaces .....	22
Specifications .....	23
Heater .....	24
Wind loading .....	24
Installation .....	24
Software packages .....	28
Power supply .....	28
Power supply description .....	28
Power supply part numbers .....	28
Power supply interfaces .....	30
Power supply specifications .....	30
Power supply location considerations .....	31
Ethernet cabling .....	31
Ethernet standards and cable lengths .....	31
Outdoor Cat5e cable .....	32
Surge suppression unit .....	32

Gigabit Ethernet Surge Suppressor .....	33
<b>Regulatory Information .....</b>	<b>34</b>
General wireless specifications .....	34
Regulatory limits .....	34
Conforming to the limits .....	35
Available spectrum .....	35
Channel bandwidth .....	35
Electromagnetic Compatibility (EMC) compliance .....	35
Compliance with safety standards .....	36
<b>Glossary .....</b>	<b>37</b>
<b>Cambium Networks .....</b>	<b>39</b>

# About This Guide

---

This guide describes the planning, installation, configuration, and operation of the Cambium ePMP Series of point-to-multipoint and point-to-point wireless Ethernet systems. It is intended for use by the system designer, system installer, and system administrator.

This section contains the following topics:

- [Problems and warranty](#)
- [Security advice](#)
- [Precautionary statements](#)
- [Caring for the environment](#)

## Problems and warranty

### Reporting problems

Cambium Networks offers comprehensive support to ensure optimal network performance, including training, online documentation, technical support, community forums, software downloads, warranty services, and repairs.

Through the Cambium Networks Support Center <https://support.cambiumnetworks.com/> you can:

- Submit support requests
- Submit RMA request
- View support global contact numbers

Additional information including field service bulletins, license key information, warranty details, security advisories, Cambium Networks Care program descriptions, regional codes for PTP solutions, and compliance requirements can be viewed at <https://www.cambiumnetworks.com/support/>.

### Repair and service

If unit failure is suspected, obtain details of the Return Material Authorization (RMA) process from the [Cambium Networks support site](#).

### Warranty

For products shipped after October 1<sup>st</sup>, 2018 Cambium Networks' standard hardware warranty is for three (3) years from the date of shipment from Cambium Networks or a Cambium Networks distributor. Cambium Networks warrants that hardware will conform to the relevant published specifications and will be free from material defects in material and workmanship under normal use and service. Cambium Networks shall within this time, at its own option, either repair or replace the defective product within thirty (30) days of receipt of the defective product. Repaired or replaced products will be subject to the original warranty period but not less than thirty (30) days.

To register ePMP products or activate warranties, visit the [Cambium Networks support site](#).

For warranty assistance, contact the reseller or distributor.



#### Attention

Do not open the radio housing for repair or diagnostics; there are no serviceable parts within the housing.

Portions of Cambium equipment may be damaged from exposure to electrostatic discharge. Use precautions to prevent damage.

## Security advice

Cambium Networks' systems and equipment provide security parameters that can be configured by the operator based on their particular operating environment. Cambium Networks recommends setting and using these parameters following industry-recognized security practices. Security aspects to be considered are protecting the confidentiality, integrity, and availability of information and assets. Assets include the ability to communicate, information about the nature of the communications, and information about the parties involved.

In certain instances Cambium Networks make specific recommendations regarding security practices, however, the implementation of these recommendations and final responsibility for the security of the system lies with the operator of the system.

ePMP equipment from Cambium Networks is shipped with the default web management interface login credentials. It is highly recommended that, these usernames and passwords are modified before system installation.

## Precautionary statements

This section explains the precautionary statements used in this document.

### Warning

Precautionary statements with the Warning tag precede instructions that contain potentially hazardous situations. Warnings are used to alert the reader to possible hazards that could cause loss of life or physical injury. A warning has the following format:



#### Warning

Text and consequence for not following the instructions in the warning.

## Federal Communication Commission Interference Statement

This equipment has been tested and found to comply with the limits for a Class B digital device, pursuant to Part 15 of the FCC Rules. These limits are designed to provide reasonable protection against harmful interference in a residential installation. This equipment generates, uses and can radiate radio frequency energy and, if not installed and used in accordance with the instructions, may cause harmful interference to radio communications. However, there is no guarantee that interference will not occur in a particular installation. If this equipment does cause harmful interference to radio or television reception, which can be determined by turning the equipment off and on, the user is encouraged to try to correct the interference by one of the following measures:

- Reorient or relocate the receiving antenna.
- Increase the separation between the equipment and receiver.
- Connect the equipment into an outlet on a circuit different from that to which the receiver is connected.
- Consult the dealer or an experienced radio/TV technician for help.



### Caution

Any changes or modifications not expressly approved by the party responsible for compliance could void the user's authority to operate this equipment.

This device complies with Part 15 of the FCC Rules. Operation is subject to the following two conditions:

- (1) This device may not cause harmful interference, and
- (2) this device must accept any interference received, including interference that may cause undesired operation.



### IMPORTANT NOTE

#### FCC Radiation Exposure Statement

This equipment complies with FCC radiation exposure limits set forth for an uncontrolled environment. This equipment should be installed and operated with minimum distance 36 cm between the radiator and your body.

## IC Interference Statement

This device contains licence-exempt transmitter(s)/receiver(s) that comply with Innovation, Science and Economic Development Canada's licence-exempt RSS(s). Operation is subject to the following two conditions:

- (1) This device may not cause interference.
- (2) This device must accept any interference, including interference that may cause undesired operation of the device.

*Cet appareil contient des émetteurs / récepteurs exempts de licence qui sont conformes au (x) RSS (s) exemptés de licence d'Innovation, Sciences et Développement économique Canada. L'opération est soumise aux deux conditions suivantes:*

- (1) Cet appareil ne doit pas provoquer d'interférences.*
- (2) Cet appareil doit accepter toute interférence, y compris les interférences susceptibles de provoquer un fonctionnement indésirable de l'appareil.*



### IMPORTANT NOTE

#### IC Radiation Exposure Statement:

This equipment complies with IC RSS-102 radiation exposure limits set forth for an uncontrolled environment. This equipment should be installed and operated with minimum distance 20 cm between the radiator and your body.

*Cet équipement est conforme aux limites d'exposition aux rayonnements IC établies pour un environnement non contrôlé. Cet équipement doit être installé et utilisé avec un minimum de 20 cm de distance entre la source de rayonnement et votre corps.*

IC MPE distance: 20 cm



### Warning

Devices shall not be used for control of or communications with unmanned aircraft systems.

Les appareils ne doivent pas être utilisés pour contrôler ou communiquer avec des systèmes d'aéronefs sans pilote.



### Warning

Operation on oil platforms, automobiles, trains, maritime vessels and aircraft shall be prohibited.

L'exploitation sur les plates-formes pétrolières, les automobiles, les trains, les navires maritimes et les aéronefs est interdite.





### Warning

The antenna height shall be determined by the installer or operator of the standard-power access point or fixed client device, or by automatic means. This information shall be stored internally in the device. Provision of accurate device information is mandatory.

La hauteur de l'antenne doit être déterminée par l'installateur ou l'opérateur du point d'accès à puissance standard ou de l'appareil client fixe, ou par des moyens automatiques. Ces informations doivent être stockées en interne dans l'appareil. La fourniture d'informations précises sur l'appareil est obligatoire.

## Attention

Precautionary statements with the Attention tag precede instructions that are used when there is a possibility of damage to systems, software, or individual items of equipment within a system. However, this damage presents no danger to personnel. An attention statement has the following format:



### Attention

Text and consequence for not following the instructions.

## Note

Precautionary statements with the Note tag indicate the possibility of an undesirable situation or provide additional information to help the reader understand a topic or concept. A note has the following format:



### Note

Text.

## Caring for the environment

The following information describes national or regional requirements for the disposal of Cambium Networks supplied equipment and for the approved disposal of surplus packaging.

### In EU countries



The following information is provided to enable regulatory compliance with the European Union (EU) directives identified and any amendments made to these directives when using Cambium Networks equipment in the EU countries.

### Disposal of Cambium Networks equipment

European Union (EU) Directive 2002/96/EC Waste Electrical and Electronic Equipment (WEEE).

Do not dispose of Cambium Networks equipment in landfill sites. For disposal instructions, see <https://support.cambiumnetworks.com>

## **Disposal of surplus packaging**

Do not dispose of surplus packaging in landfill sites. In the EU, it is the individual recipient's responsibility to ensure that packaging materials are collected and recycled according to the requirements of EU environmental law.

## **In non-EU countries**

In non-EU countries, dispose of Cambium Networks equipment and all surplus packaging in accordance with national and regional regulations.

# Product Description

---

This section provides a high-level description of the ePMP products. It describes the function of the product, the main product variants, and the typical installation. It also describes the main hardware components.

The following topics are described in this chapter:

- The key features, typical uses, product variants, and components of the ePMP are explained in the [Overview of ePMP](#).
- ePMP wireless link is operations, including modulation modes, power control, and security is described under [Wireless operation](#).
- The ePMP management system, including the web interface, installation, configuration, alerts, and upgrades is described in [System management](#).

## Overview of ePMP

This section introduces the key features, typical uses, product variants, and components of the ePMP portfolio as a whole (ePMP fourth-generation) products.

### Purpose - ePMP portfolio

ePMP Series products from Cambium Networks are designed for Ethernet bridging over Point-to-Multipoint (PMP) and Point-to-Point (PTP) microwave links in the unlicensed 2.4 GHz, 2.5 GHz (Brazil only), 5 GHz, and 6 GHz bands.



#### Attention

Ensure that the ePMP Series comply with the local operating regulations.

ePMP devices support Point-to-Point microwave links in the unlicensed 5 GHz and 6 GHz bands.

The ePMP Series acts as a transparent bridge between two segments of the operator and customers' networks. In this sense, it can be treated as a virtual wired connection between the Access Point (AP) and the Subscriber Module (SM). The ePMP series forwards 802.3 Ethernet packets destined for the other part of the network and filters packets it does not need to forward and can deliver uni-cast data to unknown destinations as broadcast, similar to a switch functionality.

### ePMP 4500

ePMP 4500 is the fourth-generation Access Point (AP) that carries on the interference tolerance mechanisms with an emphasis on high-performance in low-density point to multipoint sectors. The ePMP 4500 is a 8x8 MU-MIMO and the 5 GHz ePMP 4500 can transmit to four Force 400 SMs at the same time.

The ePMP 4500 quadruples the capacity of 2x2 systems and increases link budgets by 6 dB through downlink beamforming. It features an integrated 90° 8x8 MU-MIMO sector antenna. With TDD synchronization, ePMP 4500 networks can scale to thousands of end users while utilizing a minimal number of channels.

The ePMP 4500 system boasts a high packet per second performance, peak throughput of 4 Gbps, and supports subscriber modules with up to 4 Gbps of peak throughput.

ePMP 4500 is shown in [Figure 1](#)



Figure 1: ePMP 4500

A summary of the main ePMP 4500 characteristics are listed under [Table 1](#).

Table 1: Main characteristics of the ePMP 4500 Series

Characteristic	Value
Topology	PMP or PTP
Wireless link condition	LoS, near LoS
Scheduler	WLR, TDD
Connectivity	Ethernet
Operating frequencies	Unlicensed bands, 5 GHz
Channel Bandwidth	20 MHz, 40 MHz, 80 MHz
Data rate	4 Gbps

## Typical installation equipment

The ePMP is a solution consisting of integrated outdoor units, indoor power supply units / LAN injectors, cabling, and surge suppression equipment.

For more information about these components, including interfaces, specifications, and Cambium Networks part numbers, see [System Hardware](#) section.



### Note

This product meets the UL/cUL 62368 / IEC 62368 edition 2 specification, and the radio housings are designed to be rain-tight.

## Wireless operation

This section describes ePMP wireless link operating methods, modulation modes, power control, and security.

## Time-division duplexing

### TDD cycle

ePMP links operate using Time Division Duplexing (TDD). In each TDD cycle, the Access Point (AP) determines which Subscriber Modules (SMs) transmit and the timing based on the configured downlink/uplink ratio (duty cycle). Three fixed downlink/uplink frame ratios are available: 75/25, 50/50, and 30/70.

### Adaptive modulation

ePMP 4500 can transmit a data over the wireless link using several different modulation modes ranging from 1024-QAM to QPSK. For a given channel bandwidth and TDD frame structure, each modulation mode transmits data at a fixed rate. Also, the receiver requires a given signal-to-noise ratio to successfully demodulate a given modulation mode. Although the more complex modulations such as 1024-QAM transmits data at a more higher rate than the less complex modulation modes, the receiver requires a much higher signal-to-noise ratio.

ePMP 4500 provides an adaptive modulation scheme where the receiver constantly monitors the quality of the received signal and notifies the far end of the link of the optimum modulation mode with which to transmit. In this way, optimum capacity is achieved at all times.

### Radar avoidance

In regions where the protection of radars is a part of the local regulations, ePMP must detect interference from radar-like systems and avoid co-channel operation with these systems.

To meet this requirement, ePMP implements the following features:

- The equipment can only transmits on available channels, of which there are none at initial power-up. The radar detection algorithm always scan a usable channel for 60 seconds for radar interference before making the channel an available channel.
- This compulsory channel scan means that there is at least 60 seconds service outage every time radar is detected, and that the installation time is extended by at least 60 seconds even if there is no radar on the channel.

There is a secondary requirement for bands requiring radar avoidance. Regulators have mandated that products provide a uniform loading of the spectrum across all devices. In general, this prevents operation with fixed frequency allocations as follows:

- ETSI regulations allow frequency planning of networks (as that has the same effect of spreading the load across the spectrum).
- The FCC allows the channels to be avoided if there is actual interference on them.



#### Note

When operating in a region that requires DFS, ensure that the AP is configured with alternate frequencies and the SM is configured to scan for these frequencies to avoid long outages.

## Encryption

ePMP supports optional encryption for data transmitted over the wireless link. The encryption algorithm used is the Advanced Encryption Standard (AES) with a 128-bit key size. AES is a symmetric encryption algorithm approved by U.S. Government organizations (and others) to protect sensitive information.



#### Note

AES with a 256-bit key size is supported and can be ordered separately using SKU C050900S600A.

## Country codes

Some aspects of the wireless operation are controlled, enforced, or restricted according to a country code. ePMP country codes represent individual countries (for example Denmark) or regulatory regions (for example FCC or ETSI).

Country codes affect the following aspects of wireless operation:

- Maximum transmit power
- Radar avoidance (upcoming release)
- Frequency range



### Attention

To avoid possible enforcement action by the country regulator, always operate links in accordance with the local regulations.

## Further reading on wireless operation

For information on planning wireless operation, see:

- The regulatory restrictions that affect radio spectrum usages, such as frequency range and radar avoidance are described in [Radio spectrum planning](#).
- The safety specifications against which the ePMP is tested are listed under [Compliance with safety standards](#). It also describes how to keep RF exposure within safe limits.
- ePMP complies with the radio regulations that are enforced in various countries are explained in [Compliance with radio regulations](#).

For more information on configuring and operating the wireless link, see:

- The configuration parameters of the ePMP devices are described in [Using the menu options](#).

## System management

This section describes the ePMP management system, including the web interfaces, installation, alerts, upgrades, configuration, and management software.

### Management agent

ePMP equipment is managed through an embedded management agent. Management workstations, network management systems, or PCs can be connected to this agent using the module's Ethernet port, SFP port, over the air (Subscriber Module connection through AP), or by using the device Wi-Fi management interface.

The management agent supports the following interfaces:

- Hypertext Transfer Protocol (HTTP)
- Hypertext Transfer Protocol Secure (HTTPS)
- Simple Network Management Protocol (SNMP)
- Network Time Protocol (NTP)
- System logging (Syslog)

- cnMaestro™ Cloud-based or On-premises Management System
- Dynamic Host Configuration Protocol (DHCP)

## Webserver

The ePMP management agent contains a web server. The web server supports access through the HTTP and HTTPS interfaces.

Web-based management offers a convenient way to manage the ePMP equipment from a locally connected computer or from a network management workstation connected through a management network, without requiring any special management software. The web-based interfaces are the only interfaces supported for the installation of ePMP, and the majority of ePMP configuration management tasks.

## Identity-based user accounts

When identity-based user accounts are configured, a security officer can define from one to four user accounts, each of which may have one of the four possible roles:

- ADMINISTRATOR (default username/password is **admin**), who has full read and write permission.
- INSTALLER (default username/password is **installer**), who has permission to read and write parameters applicable to unit installation and monitoring.
- HOME (default username/password is **home**), who has permission only to access pertinent information for support purposes.
- READONLY (default username/password is **readonly**), who has permission to only view the Monitor page.

## SNMP

The management agent supports fault and performance management utilizing an SNMP interface. The management agent is compatible with SNMP v2c using one Management Information Base (MIB) file which is available for download from the Cambium Networks support site: <https://support.cambiumnetworks.com/files/epmp>.

## Network Time Protocol (NTP)

The clock supplies accurate date and time information to the system. It can operate with or without a connection to a network time server (NTP). Local time can be displayed by setting the time zone and daylight saving options on the Time web page.

If an NTP server connection is available, the clock can synchronize with the server time at regular intervals.

ePMP™ devices can receive NTP data from a CMM module or an NTP server configured in the system's management network. The Time Zone option is configurable on the **Configure > System** page and can offset the received NTP time to match the operator's local time zone.

## Software upgrade

Software upgrades can be issued through the radio web interface (**Tools > Software Upgrade**) or cnMaestro ([cloud.cambiumnetworks.com](https://support.cambiumnetworks.com)). For software upgrades, visit: <https://support.cambiumnetworks.com/files/epmp>.

# System Hardware

---

This chapter describes the site planning and hardware components of an ePMP link.

The following topics are described in this chapter:

- Factors to be considered when planning the proposed network is described under [Site planning](#).
- The power supply hardware, part numbers, and specifications are described in [Power supply](#).
- Cable standards and lengths are described in [Ethernet cabling](#).
- Surge suppression requirements and recommendations are described in [Surge suppression unit](#).

## Site planning

Conduct a site survey to ensure that the proposed sites meet the requirements defined in this section.

## Site installation

An ePMP site typically consists of a high supporting structure such as a mast, tower, or building for the devices.

Find a location for the device that meets the following requirements:

- The equipment is high enough to achieve the best radio path.
- People can be kept a safe distance away from the equipment when it is radiating. .
- The equipment is lower than the top of the supporting structure (tower, mast, or building) or its lightning air terminal.
- There is one Ethernet interface, a copper Cat5e connection from the device to the power supply, and network terminating equipment.

## Grounding and lightning protection

Structures, equipment, and people must be protected against power surges (typically caused by lightning) by conducting the surge current to the ground through a separate preferential solid path. The actual degree of protection required depends on local conditions and applicable local regulations. To adequately protect an ePMP installation, both ground bonding and transient voltage surge suppression are required.



### Warning

Electro-magnetic discharge (lightning) damage is not covered under warranty. The recommendations in this guide, when followed correctly, give the user the best protection from the harmful effects of EMD. However, 100 percent protection is neither implied nor possible.

Details of lightning protection methods and requirements can be found in the international standards IEC 61024-1 and IEC 61312-1, the U.S. National Electric Code ANSI/NFPA No. 70-1984, or section 54 of the Canadian Electric Code.



### Note

International and national standards take precedence over the requirements in this guide.



Figure 2: Access Point installation diagram

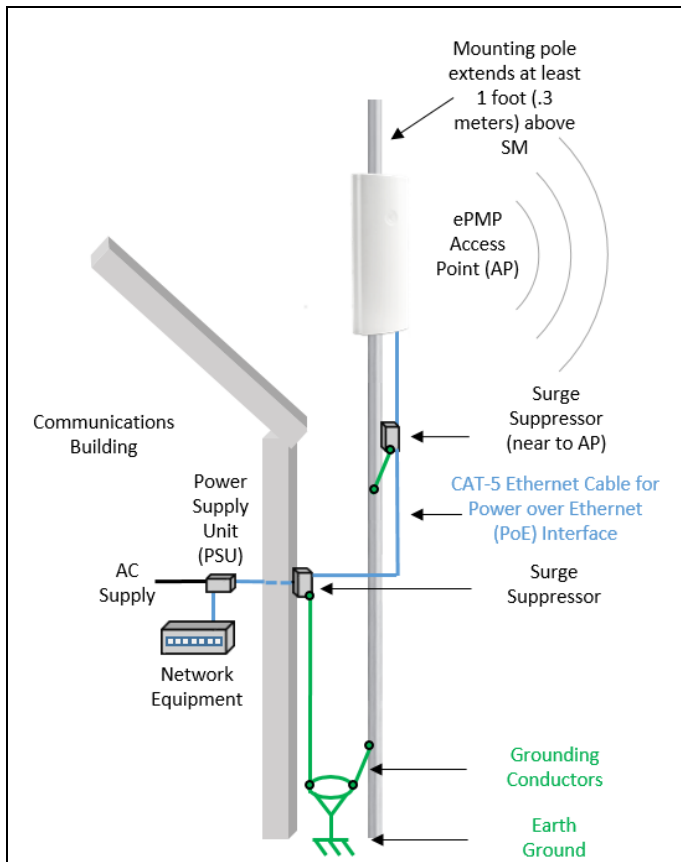
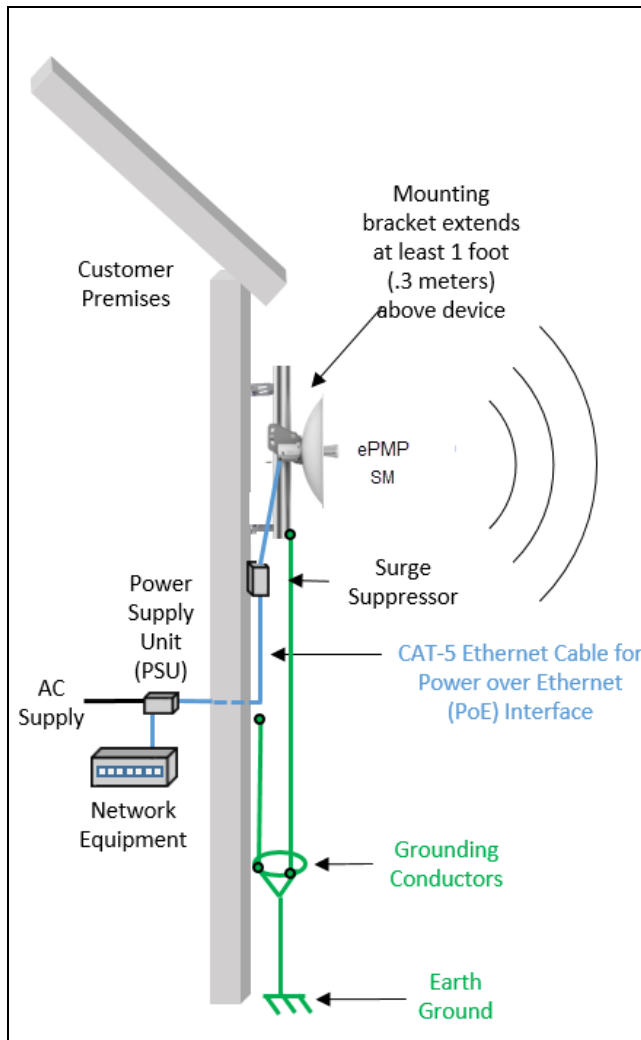


Figure 3: Subscriber / Point-to-Point installation diagram



## Lightning protection zones

Use the rolling sphere method as shown in Figure 4 to determine where it is safe to mount the equipment. An imaginary sphere, typically 50 meters in radius, is rolled over the structure. Where the sphere rests against the ground and a strike termination device (such as a finial or ground bar), all the space under the sphere is considered to be in the zone of protection (Zone B). Similarly, where the sphere rests on two finials, the space under the sphere is considered to be in the zone of protection.

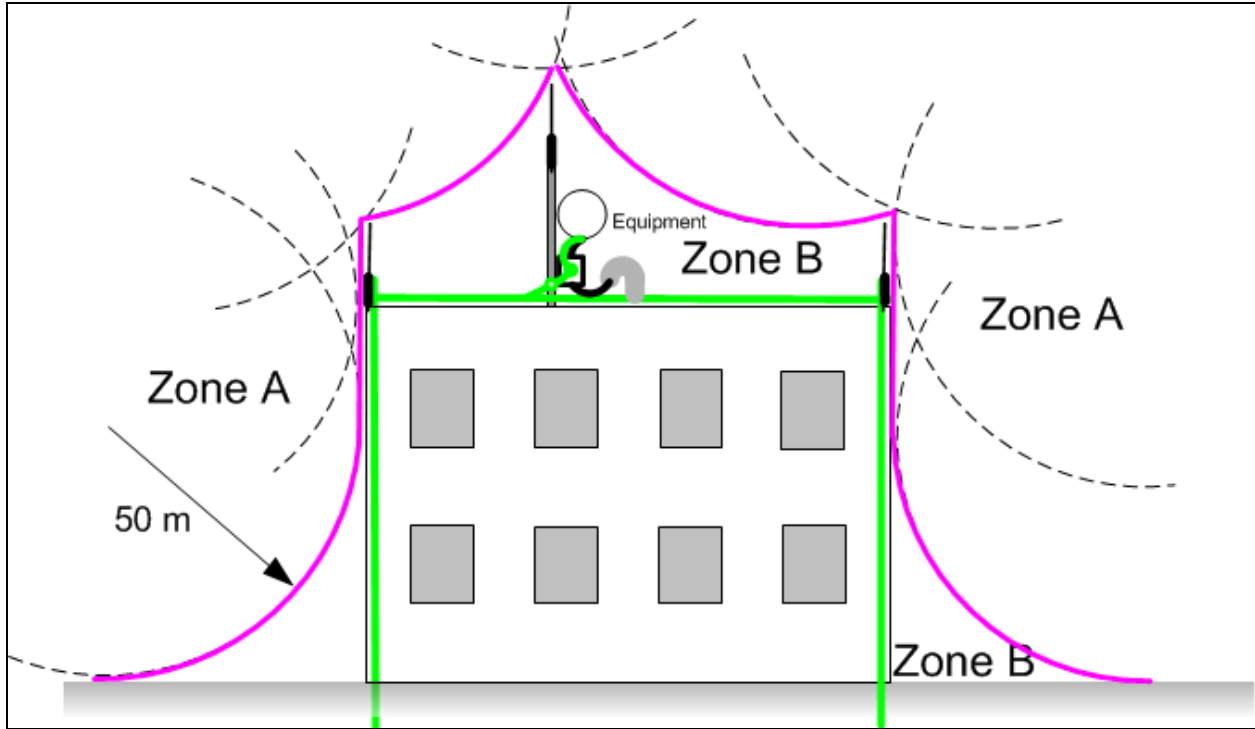


Figure 4: Rolling sphere method to determine the lightning protection zones

Assess locations on masts, towers, and buildings to determine if the location is in Zone A or Zone B:

- **Zone A:** In this zone a direct lightning strike is possible. Do not mount the equipment in this zone.
- **Zone B:** In this zone, direct EMD (lightning) effects are still possible, but mounting the equipment in this zone significantly reduces the possibility of a direct strike. Mount the equipment in this zone.



**Warning**

Do not mount the equipment in Zone A. Mounting the equipment in Zone A poses risk to the equipment, structures, and human lives.

## Electromagnetic Compatibility (EMC) compliance

ePMP complies with European EMC Specification EN301 489-1 with testing carried out to the detailed requirements of EN 301 489-17.

The EMC specification type approvals that is granted for ePMP are listed under [Table 2](#).

Table 2: EMC emissions compliance

Region	Specification (Type Approvals)
USA	FCC CFR 47 Part 15 class B
Canada	RSS-210 RSS-247
Europe	ETSI EN 301 489-1 ETSI EN 301 489-17

# ePMP 4500 Access Point

For details of the ePMP 4500 Access Point hardware, see:

- [Description](#)
- [Part numbers](#)
- [Mounting bracket](#)
- [Interfaces](#)
- [Specifications](#)
- [Heater](#)
- [Wind loading](#)
- [Installation](#)
- [Software packages](#)

## Description

The ePMP 4500 device is a self-contained transceiver unit that contains both radio and networking electronics. It is available with 8 X 8 MU-MIMO integrated antenna.

ePMP 4500 is shown in [Figure 5](#).



*Figure 5: ePMP 4500 Access Point*

## Part numbers

Select the correct regional variant to adhere to local licensing restrictions.

Each of the parts listed in [Table 3](#) and [Table 4](#) includes the following items:

- One connectorized unit
- One power supply 1000/100 BASE-TX LAN injector

- One line cord

Table 3: ePMP 4500 Access Point part numbers

Cambium description	Cambium part number
ePMP 4500 5 GHz 8x8 Access Point Radio (ROW) (no cord)	C050940A021A
ePMP 4500 5 GHz 8x8 Access Point Radio (ROW) (US cord)	C050940A121A
ePMP 4500 5 GHz 8x8 Access Point Radio (IC) (Canada/US cord)	C058940A124A
ePMP 4500 5 GHz 8x8 Access Point Radio (ROW) (EU cord)	C050940A221A
ePMP 4500 5 GHz 8x8 Access Point Radio (EU) EU cord)	C050940A223A
ePMP 4500 5 GHz 8x8 Access Point Radio (ROW) (UK cord)	C050940A321A
ePMP 4500 5 GHz 8x8 Access Point Radio (EU) (UK cord)	C050940A323A
ePMP 4500 5 GHz 8x8 Access Point Radio (ROW) (India cord)	C050940A421A
ePMP 4500 5 GHz 8x8 Access Point Radio (India) (India Cord)	C050940A425A
ePMP 4500 5 GHz 8x8 Access Point Radio (ROW) (China cord)	C050940A521A
ePMP 4500 5 GHz 8x8 Access Point Radio (ROW) (Brazil cord)	C050940A621A
ePMP 4500 5 GHz 8x8 Access Point Radio (ROW) (Argentina cord)	C050940A721A
ePMP 4500 5 GHz 8x8 Access Point Radio (ROW) (ANZ cord)	C050940A821A
ePMP 4500 5 GHz 8x8 Access Point Radio (ROW) (South Africa cord)	C050940A921A
ePMP 4500 5 GHz 8x8 Access Point Radio (ROW) (No PSU)	C050940AZ21A
ePMP 4500 5 GHz 8x8 Access Point Radio (FCC) (US cord)	C058940A122A
ePMP 4500 5 GHz 8x8 Access Point Radio (Indonesia) (EU Cord)	C050940A226A

Table 4: ePMP 4500 accessory part numbers

Cambium description	Cambium part number
PoE Gigabit DC Injector, 15W Output at 30V, Energy Level 6 Supply	N000900L001
CABLE, UL POWER SUPPLY CORD SET, ARGENTINA	N000900L013
CABLE, UL POWER SUPPLY CORD SET, AUS/NZ	N000900L011
CABLE, UL POWER SUPPLY CORD SET, Brazil	N000900L010
CABLE, UL POWER SUPPLY CORD SET, CHINA	N000900L015
CABLE, UL POWER SUPPLY CORD SET, EU	N000900L008
CABLE, UL POWER SUPPLY CORD SET, INDIA	N000900L012
CABLE, UL POWER SUPPLY CORD SET, UK	N000900L009
CABLE, UL POWER SUPPLY CORD SET, US	N000900L007

## Mounting bracket

The ePMP 4500 AP module is designed to be mounted with a sector antenna or pole-mounted using the mounting bracket provided in the box with the radio.

ePMP 4500 AP mounting bracket is shown in [Figure 6](#)

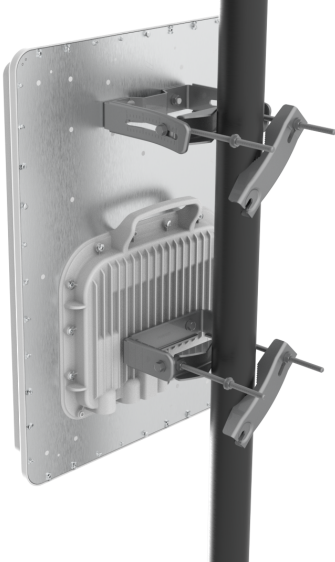



Figure 6: ePMP 4500 Access Point module mounting bracket

## Interfaces

The Ethernet port is located at the bottom of the unit. This interface is described in [Table 5](#).

Table 5: ePMP 4500 Series - rear interfaces

Port name	Connector	Interface	Description
Eth	RJ45	PoE input	Power over Ethernet (PoE).  <b>Note</b> All RJ45 Ethernet LAN cables used for providing power or are connected to power ports (PoE) must be UL certified with VW-1 markings.
		100/1000BASE-T Ethernet	Data
SFP	SFP	Optical or Copper Gigabit Ethernet	Management and/or data

## Connector pin numbering

Figure 7 shows the connector pin numbering of ePMP 4500.

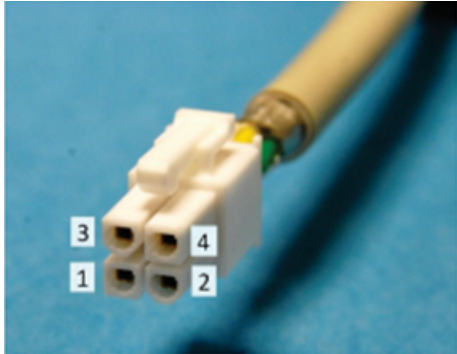


Figure 7: Connector pin numbering

Pin	Power supply connection
1, 2	Positive
3, 4	Negative

## Specifications


The ePMP 4500 connectorized module conforms to the specifications listed in [Table 6](#) and [Table 7](#).

The connectorized module meets the low-level static discharge specifications identified in [Electromagnetic compatibility \(EMC\) compliance](#) and provides internal surge suppression, but does not provide lightning suppression.

Table 6: ePMP 4500 Access Point physical specifications

Category	Specification
Dimensions (Length x Width x Height)	643 mm x 487 mm x 157 mm (25.3 in x 19.2 in x 6.2 in)
Weight	14.66 kg (32.32 lbs) with clamp

Table 7: ePMP 4500 Access Point environmental specifications

Category	Specification
Temperature	-40°C (-40°F) to +55°C (131°F).
Wind loading	124 mph (200 kph) maximum. See <a href="#">ePMP 4500 Access Point wind loading (Kg)</a> for a full description.
Humidity	95% condensing.
Environmental	IP67.  <div style="border: 1px solid black; background-color: #e1f5fe; padding: 5px; margin-top: 10px;"> <p><b>Note</b></p> <p>This product meets the UL/cUL 62368 / IEC 62368 edition 2 specification, and the radio housings are designed to be rain-tight.</p> </div>

## Heater

At startup, if the ePMP 4500 AP module temperature is at or below 32°F (0°C), an internal heater is activated to ensure that the device can begin the operation successfully. The unit's heater is only activated when the unit is powered ON and does not apply heat to the device once the startup is complete. When the unit temperature is greater than 32°F (0°C), then the heater is deactivated, and the unit continues its startup sequence.

The effect on device startup time at various temperatures is defined in [Table 8](#).

**Table 8: ePMP 4500 Access Point startup times based on ambient temperature**

Initial Temperature	Startup time (from power on to operational)
-22°F (-30°C) H	20 minutes
-4°F (-20°C)	6 minutes
14°F (-10°C)	2 minutes, 30 seconds

## Wind loading

Ensure that the device and the structure on which it is mounted are capable of withstanding the prevalent wind speeds at a proposed ePMP site. Wind speed statistics are available from national meteorological offices.

The device and its mounting bracket are capable of withstanding wind speeds of up to 200 kph (124 mph).

Wind blowing on the device subjects the mounting structure to significant lateral force. The magnitude of the force depends on both wind strength and the surface area of the device. Wind loading is estimated using the following formulae:

$$\text{Force (in kilograms)} = 0.1045aV^2$$

Where:	Is:
a	the surface area in square meters
V	wind speed in meters per second

$$\text{Force (in pounds)} = 0.0042Av^2$$

Where:	Is:
A	the surface area in square feet
V	wind speed in miles per hour

## Installation



### Note

A professional installation is required.

## Package contents

[Figure 8](#) shows the package contents for ePMP 4500 Access Point.



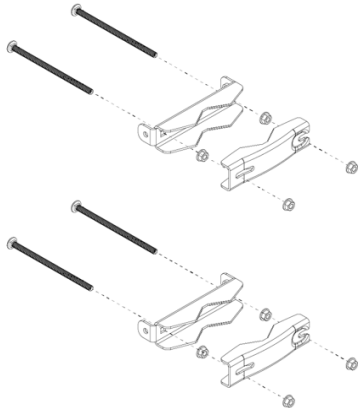
Figure 8: ePMP 4500 Access Point - Package contents



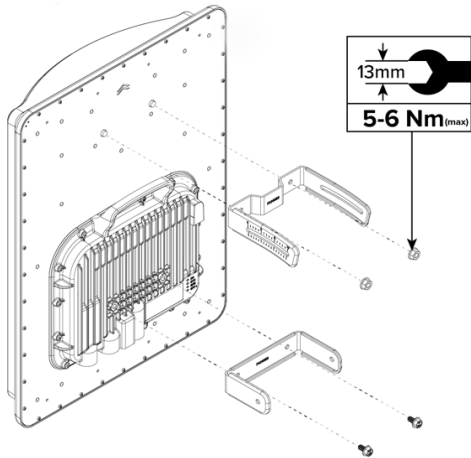
## Installing ePMP 4500

To install ePMP 4500 Access Point, perform the following steps:

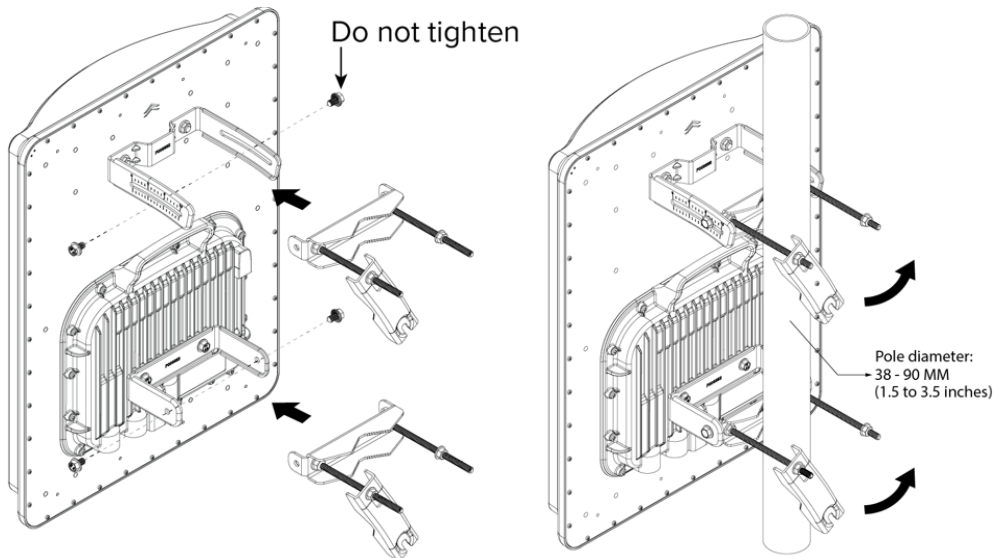
1. Loosen the M4 screw and slide the radio holder upwards to remove it.



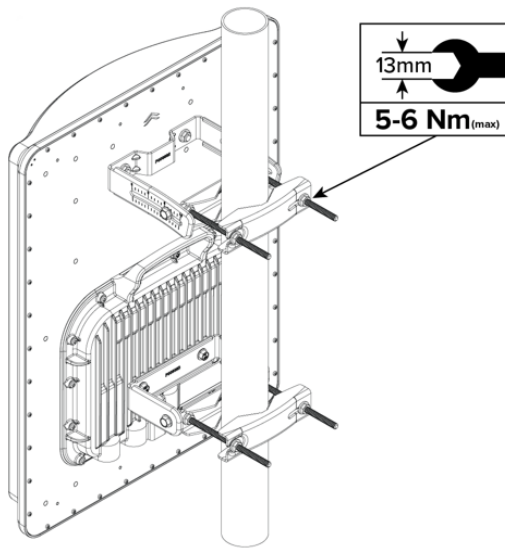
2. Attach the bottom fixed clamps. Secure the antenna with M8 nuts, tightening to 5.0 Nm torque.



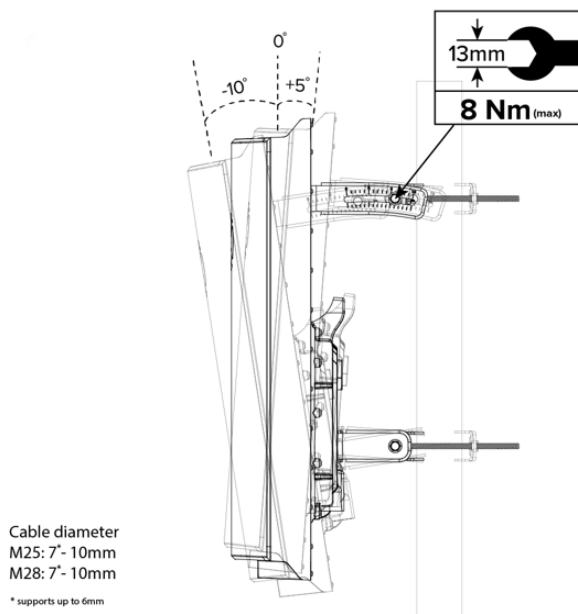
3. Attach the front pole brackets to the fixed clamps using four M8x12 mm bolts. Insert an M8x160 mm bolt into the front pole bracket and secure it with M8 nuts, tightening to 5.0 Nm torque



4. Attach the antenna to the pole using the rear pole bracket and secure it with an M8 nut, tightening to 10.0 Nm torque.



5. Adjust the antenna between +5° to -10° as needed.



Scan QR code for **ePMP 4500 Access Point** installation guide and management.



Figure 9 shows the DC input wiring for ePMP 4500 Access Point.

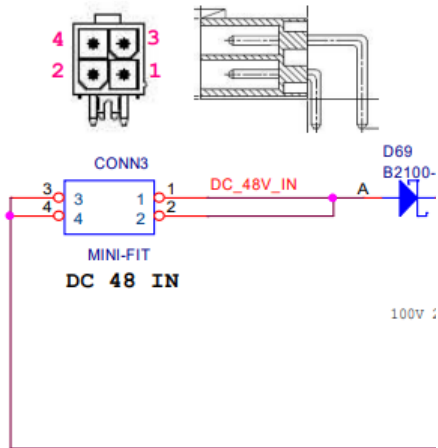


Figure 9: DC input

Pins 1, 2 are to be + and pins 3, 4 are to be return.

## Software packages

ePMP 4500 AP devices can be upgraded by downloading new software packages from the [Cambium Networks site](#) or by using cnMaestro. The software packages applicable to ePMP integrated radios are named:

- ePMP-AX-v5.x.x.img (or higher version number)

## Power supply

For details of the ePMP power supply units, see:

- [Power supply description](#)
- [Power supply part numbers](#)
- [Power supply interfaces](#)
- [Power supply specifications](#)
- [Power supply location considerations](#)

## Power supply description

The power supply unit that is connected to the ePMP modules is rated for indoor use. The ePMP modules are installed outdoors and terminated to network equipment using Cat5e cables with RJ45 connectors. The Cat5e cables are plugged into an AC or DC power supply to inject Power over Ethernet (PoE) into the module. The Cat5e cables connected to the power supply transitioning from indoors to outdoors must be rated for outdoor use.



### Attention

All RJ45 Ethernet LAN cables used for providing power or are connected to power ports (PoE) must be UL certified with VW-1 markings.

## Power supply part numbers

Each module requires one power supply and one power supply line cord (line cord included with radio device, refer to Table 9).

Table 9: Power supply part numbers

Cambium description	Cambium part number	Device Compatibility
POWER SUPPLY, 13W, 56V - Gbps support	N000000L034	ePMP Access Point



**Attention**

Each ePMP device must be powered by the corresponding power supply listed in [Table 9](#). This product is intended to be supplied by a UL Listed and IEC certified Power Supply Unit marked **LPS** or **PS2** and providing power over the Ethernet (PoE) supply.

## Power supply interfaces

The power supply interfaces are illustrated in [Figure 10](#) and described in [Table 10](#).

Figure 10: Power supply interfaces

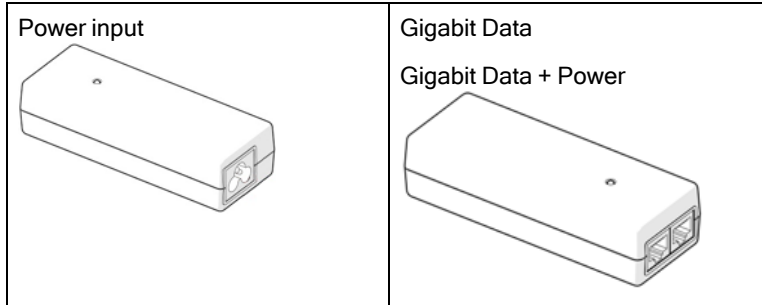


Table 10: Power supply interface functions - N000000L034

Interface	Function
Power input	Mains power input.
Power output	56V
Gigabit Data + Power	RJ45 socket for connecting Cat5e cable to the radio. <b>Note:</b> All RJ45 Ethernet LAN cables used for providing power or are connected to power ports (PoE) must be UL certified with VW-1 markings.
Gigabit Data	RJ45 socket for connecting Cat5e cable to the network.

Table 11: Power Supply LED functions

LED	Function
Power (Green)	Power supply detection

## Power supply specifications

The ePMP power supply conforms to the specifications listed in [Table 12](#), [Table 13](#), and [Table 14](#).

Table 12: Power supply physical specifications

Category	Specification
Dimensions (H x W x D)	14 x 6.5 x 3.6 cm (5.5 x 2.55 x 1.42 in)
Weight	0.26 lbs

Table 13: Power supply environmental specifications

Category	Specification
Ambient Operating Temperature	0°C to +40°C
Humidity	20% - 90%

Table 14: Power supply electrical specifications

Category	Specification
AC Input	100 to 240 VAC
Efficiency	Meets Energy Level 6
Over Current Protection	Short circuit, with auto-recovery
Hold uptime	10 ms minimum at maximum load, 120 VAC

## Power supply location considerations

Find a location for the power supply that meets the following requirements:

- The power supply is rated for indoor use and can be mounted on a wall or other flat surface.
- The power supply must be kept dry, with no possibility of condensation, flooding, or rising dampness.
- The power supply can be accessed to view status indicators.
- The power supply can be connected to the ePMP module drop cable and network terminating equipment.
- The power supply can be connected to a mains or DC power supply that meets the requirements defined in [Table 14](#).

## Ethernet cabling

For more information on the Ethernet cabling components of an ePMP installation, see:

- [Ethernet standards and cable lengths](#)
- [Outdoor Cat5e cable](#)

## Ethernet standards and cable lengths

All configurations require a copper Ethernet connection from the power supply port to the power supply and network terminating equipment.



### Attention

All cables used for outdoor installations must be suitable to be used for that environment and rated accordingly.

For each power supply, the maximum permitted drop cable length is specified in [Table 15](#).

Table 15: Power supply drop cable length restrictions

Part number	Description	Maximum cable length (*1)
N000900L001A	Power Supply for Radio with Gigabit Ethernet (no cord)	330 feet (100m)

(\*1) The maximum length of Ethernet cable from the device to the network device needs to follow 802.3 standards. If the power supply is not the network device the cable from the power supply to the network device must be included in the total maximum cable length.

## Outdoor Cat5e cable

### Cambium Industrial Cable

Cambium Industrial Cable uses 24-gauge solid bare copper conductors, covered by bonded-pair polymer insulation. The conductors are protected by double-layer shielding consisting of a solid foil layer under the braided tinned copper mesh, providing excellent shielding while maximizing flexibility. The cable is jacketed by industrial-grade UV-resistant, abrasion-resistant, and oil-resistant PVC.

Cambium's Industrial RJ45 connectors are specifically designed to work optimally with Cambium Industrial Cable.

The connectors are fully shielded with integrated strain relief for greater pull strength, utilize a staggered contact design that minimizes crosstalk, and maximizes electrical performance, and the contacts are plated with 50 micro-inch thick 24-carat gold, exceeding TIA-1096 specifications and ensuring the best possible connection and oxidation resistance.

Industrial-grade cable by Cambium Networks is well suited for high-quality durable installations of subscriber modules, APs, and enterprise point-to-point links and in tactical non-permanent deployments of infrastructure.

Table 16: Cambium Industrial Cable part numbers

Cambium description	Cambium part number
Industrial Grade CAT 5 Cable 50 meter unterminated	N000000L106A
Industrial Grade CAT 5 Cable 100 meter unterminated	N000000L106A
Industrial Grade CAT 5 Cable 300 meter unterminated	N000000L108A
Industrial Grade RJ45 Connector 100 Pack	C000000L109A
Termination Tool for C000000L109A RJ45 connectors	C000000L110A



**Attention**  
All RJ45 Ethernet LAN cables used for providing power or are connected to power ports (PoE) must be UL certified with VW-1 markings.

## Surge suppression unit

Structures, equipment, and people must be protected against power surges (typically caused by lightning) by conducting the surge current to the ground via a separate preferential solid path.

The actual degree of protection required depends on local conditions and applicable local regulations. To adequately protect an ePMP installation, both ground bonding and transient voltage surge suppression are required.

Network operators should always follow best practices for grounding and lightning protection. Doing so will minimize network outages and reduce the associated costs of tower climbs and equipment repair/replacement.



**Note**  
Lightning-prone installations can be improved by:

- Installing a surge suppressor near the device (transient surge suppression)
- Grounding the device to the pole (ground bonding)
- Lowering the device/dish such that it is not the highest metallic object on the pole.



## Gigabit Ethernet Surge Suppressor

The Gigabit Ethernet surge suppressor is critical for lightning protection to minimize the potential for damage.



Figure 11: Gigabit Ethernet Surge Suppressor

Table 17: Surge suppressor part numbers

Cambium description	Cambium part number	Device Compatibility
Gigabit Surge Suppressor (56V)	C000000L033A	ePMP Access Points



### Attention

Choose the 56V surge suppressor option based on your installed device power rating. Installing a 30V surge suppressor for a 56V device or a 56V surge suppressor for a 30V device may result in inadequate surge protection. For more details, refer to [Table 17](#).

# Regulatory Information

This section describes planning of the ePMP links to conform to the regulatory restrictions that apply in the country of operation.



## Attention

The user must ensure the ePMP product operates in accordance with local regulatory limits.



## Note

Contact the applicable radio regulator to check if the registration of the ePMP link is required.

## General wireless specifications

The wireless specifications that apply to ePMP 802.11ax variants are listed under [Table 18](#). The wireless specifications that are specific to each frequency variant are listed in [Table 19](#).

Table 18: Wireless specifications (all variants)

Item	Specification
Channel selection	Manual selection (fixed frequency) Automatic Channel Selection
Manual power control	To avoid interference with other users of the band, maximum power can be set lower than the default power limit.
Maximum transmit power	0 to +31 dBm (combined, to regional EIRP limit)
Duplex scheme	Adaptive TDD
Over-the-air encryption	AES
Error Correction	FEC

Table 19: Wireless specifications, 5 GHz band

Item	5 GHz
RF band (GHz)	4910 - 6135 MHz
Channel bandwidth	20 MHz, 40 MHz, or 80 MHz
Typical antenna gain	Sector antenna - 17 dBi
Antenna 3 dB Beamwidth	Sector antenna: 65° azimuth, 5° elevation

## Regulatory limits

The local regulator may restrict frequency usage and channel width and may limit the amount of conducted or radiated transmitter power.

Many countries impose EIRP limits (allowed EIRP) on products operating in the bands used by the ePMP Series. For example, in the 5 GHz band in Europe, these limits are calculated as follows:

- In the 5.8 GHz band (5725 MHz to 5875 MHz), the EIRP must not exceed the lesser of 36 dBm or  $(23 + 10 \times \text{Log Channel width in MHz})$  dBm.

Some countries (for example the USA) impose conducted power limits on products operating in the 5 GHz band.

## Conforming to the limits

Ensure the link is configured to conform to the local regulatory requirements by configuring the correct country code (located in the web management interface, under **Configure > Radio**). In the following situations, the country code does not prevent the operation automatically outside the regulations:

- When operating in ETSI regions, it is required to enter a license key in the ePMP web management interface to unlock valid country-specific frequencies. This key can be obtained from <https://support.cambiumnetworks.com/licensekeys/epmp>.

## Available spectrum

The available spectrum for the operation depends on the region. When configured with the appropriate country code, the unit allows operation on those channels only which are permitted by the regulations.

Certain regulations have allocated certain channels as unavailable for use:

- Some European countries have allocated, part of the 5.8 GHz band to Road Transport and Traffic Telematics (RTTT) systems.

Where regulatory restrictions apply to certain channels, these channels are barred automatically by the use of the correct country code. For example, at 5.8 GHz in some European countries, the RTTT band 5795 MHz to 5815 MHz is barred. With the appropriate country code configured for this region, the ePMP does not operate on channels within this band.

The number and identity of channels barred by the license key and country code are dependent on the channel bandwidth.

## Channel bandwidth

Select the required channel bandwidth for the link. The selection depends on the ePMP frequency variant and country code.

The wider a channel bandwidth the greater is its capacity. As narrower channel bandwidths take up less spectrum, selecting a narrow channel bandwidth may be a better choice when operating in locations where the spectrum is very busy.

Both ends of the link must be configured to operate on the same channel bandwidth.

## Electromagnetic Compatibility (EMC) compliance

ePMP complies with European EMC Specification EN301 489-1 with testing carried out to the detailed requirements of EN 301 489-17.

The EMC specification type approvals that is granted for ePMP are listed under [Table 20](#).

Table 20: EMC emissions compliance

Region	Specification (Type Approvals)
USA	FCC CFR 47 Part 15 class B
Canada	RSS-210 RSS-247
Europe	ETSI EN 301 489-1 ETSI EN 301 489-17

## Compliance with safety standards

This section lists the safety specifications against which the ePMP is tested and certified. ePMP complies with global Electrical Safety specifications, primarily IEC 62368-1, IEC 60950-22, UL 62368-1, UL 60950-22.

For RF exposure limits, ePMP 4500 has a safe distance of 105 cm in USA, 65 cm in Europe, and 20 cm in Canada.

# Glossary

---

<b>Term</b>	<b>Definition</b>
AES	Advanced Encryption Standard
ANSI	American National Standards Institute
CINR	Carrier to Interference plus Noise Ratio
CMM	Cluster Management Module
DFS	Dynamic Frequency Selection
EIRP	Equivalent Isotropically Radiated Power
EMC	Electromagnetic Compatibility
EMD	Electromagnetic Discharge
ETH	Ethernet
ETSI	European Telecommunications Standards Institute
FCC	Federal Communications Commission
FEC	Forward Error Correction
GUI	Graphical User Interface
HTTP	Hypertext Transfer Protocol
IC	Industry Canada
IEEE	Institute of Electrical and Electronics Engineers
IP	Internet Protocol
LAN	Local Area Network
LED	Light Emitting Diode
LoS	Line of Sight
MIMO	Multiple In Multiple Out
MIR	Maximum Information Rate
MU-MIMO	Multi-User Multiple In Multiple Out
MTU	Maximum Transmission Unit
nLOS	Near Line of Sight
NTP	Network Time Protocol
OFDM	Orthogonal Frequency Division Multiplexing
PC	Personal Computer
PMP	Point to Multipoint
PTP	Point to Point

<b>Term</b>	<b>Definition</b>
QAM	Quadrature Amplitude Modulation
QPSK	Quadrature Phase Shift Keyed
RF	Radio Frequency
RMA	Return Merchandise Authorization
RSSI	Received Signal Strength Indication
RTTT	Road Transport and Traffic Telematics
RX	Receive
SAR	Standard Absorption Rate
SNMP	Simple Network Management Protocol
SW	Software
TDD	Time Division Duplex
TDWR	Terminal Doppler Weather Radar
TX	Transmit
UNII	Unlicensed National Information Infrastructure
URL	Uniform Resource Locator

# Cambium Networks

---

Cambium Networks delivers wireless communications that work for businesses, communities, and cities worldwide. Millions of our radios are deployed to connect people, places and things with a unified wireless fabric that spans multiple standards and frequencies of fixed wireless and Wi-Fi, all managed centrally via the cloud. Our multi-gigabit wireless fabric offers a compelling value proposition over traditional fiber and alternative wireless solutions. We work with our Cambium certified ConnectedPartners to deliver purpose-built networks for service provider, enterprise, industrial, and government connectivity solutions in urban, suburban, and rural environments, with wireless that just works.

User Guides	<a href="http://www.cambiumnetworks.com/guides">http://www.cambiumnetworks.com/guides</a>
Technical training	<a href="https://learning.cambiumnetworks.com/learn">https://learning.cambiumnetworks.com/learn</a>
Support website (enquiries)	<a href="https://support.cambiumnetworks.com">https://support.cambiumnetworks.com</a>
Main website	<a href="http://www.cambiumnetworks.com">http://www.cambiumnetworks.com</a>
Sales enquiries	<a href="mailto:solutions@cambiumnetworks.com">solutions@cambiumnetworks.com</a>
Warranty	<a href="https://www.cambiumnetworks.com/support/standard-warranty/">https://www.cambiumnetworks.com/support/standard-warranty/</a>
Telephone number list	<a href="http://www.cambiumnetworks.com/contact-us/">http://www.cambiumnetworks.com/contact-us/</a>
Address	Cambium Networks Limited, Unit B2, Linhay Business Park, Eastern Road, Ashburton, Devon, TQ13 7UP United Kingdom



Cambium Networks and the stylized circular logo are trademarks of Cambium Networks, Ltd. All other trademarks are the property of their respective owners.

© Copyright 2024 Cambium Networks, Ltd. All rights reserved.